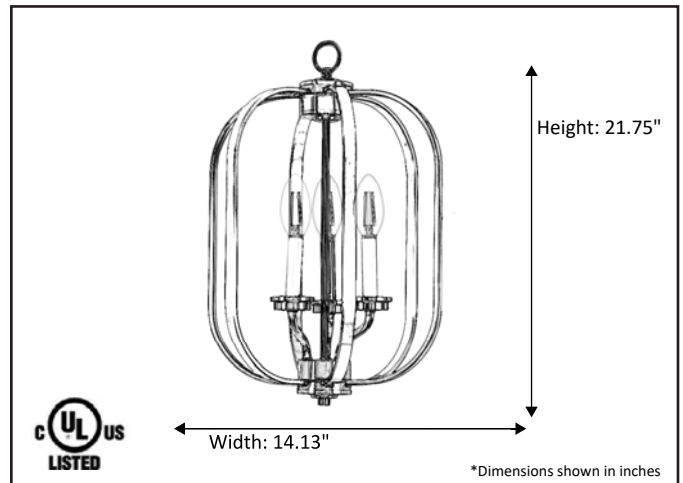


<b>Model #</b>	<b>VIC-HF13-NK</b>
SKU	15921
Description	3 Light Open Cage
Finish	Brushed Nickel
Glass	N/A
Dimensions- HxW (Dimensions shown in inches)	21.75" x 14.13"
Lamp Info	3X60W (C)
Chain/ Wire Length	3' Chain/10' Wire
Dual Mount	No

Finish/Glass Shown: Brushed Nickel/N/A



\*Lamps not included



**ELECTRICAL REQUIREMENTS:** Fixture requires a grounded electrical supply line of 120 volts AC.

**INSTALLATION REQUIREMENTS:** Fixture attaches to electrical junction box securely anchored in wall or ceiling.  
**All mounting hardware included.**

HOMEnhancements/ 1505-A Kelly Blvd., Carrollton, TX. 75006

*Product specifications subject to change without notice.*

REFERENCE	QTY.	REMARKS	Project
			Location/Type
			Architect
			Engineer
			Contractor
			Submitted By: <span style="float: right;">Date:</span>