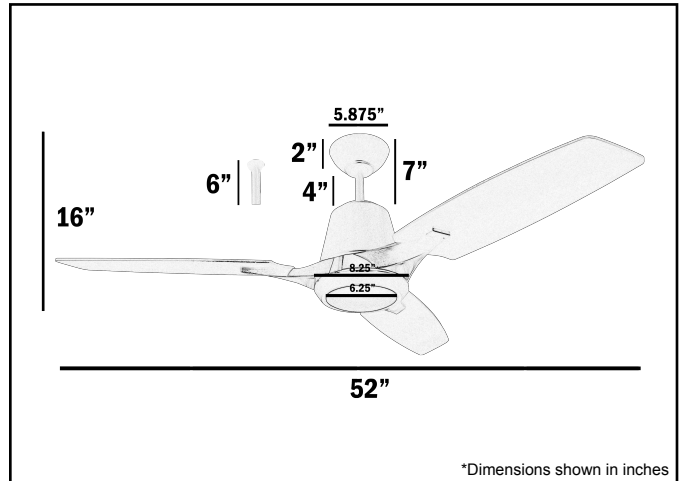


<b>Model #</b>	<b>SUN523 MB/NK3MB(20WLED 3K)</b>
SKU	20448
Metal Finish	Matte Black/Brushed Nickel
Blade Finish	Matte Black
Glass Finish	White
Description	3-Blade 52" NK Fan Matte Black Blades 20W LED 3000K
Blade Span	52"
Blade Pitch	12°
Motor Size	153*15mm
Down Rod Included	6"
Material	Steel
Speed	3
Forward/Reverse	Yes
Motor Type	AC
Lumen	1150 Lm
Location Use	Indoor Only

Finish Shown: Matte Black/Brushed Nickel



WC-5-WH Wall Control Included

- Fan Control Switch
- Fan Button Controls
- 3 Speed Fan Control
- Battery Powered/ No Wires
- Available in White (WH) Only

Airflow 4,761  
Airflow Efficiency 86 CFM

HOMEnhancements / 1505-A Kelly Blvd., Carrollton, TX. 75006

**ELECTRICAL REQUIREMENTS:** Fixture requires a grounded electrical supply line of 120 volts AC.

**INSTALLATION REQUIREMENTS:** Fixture attaches to electrical junction box securely anchored in wall or ceiling.  
**All mounting hardware included.**

*Product specifications subject to change without notice.*

REFERENCE	QTY.	REMARKS	Project
			Location/Type
			Architect
			Engineer
			Contractor
			Submitted By: _____ Date: _____