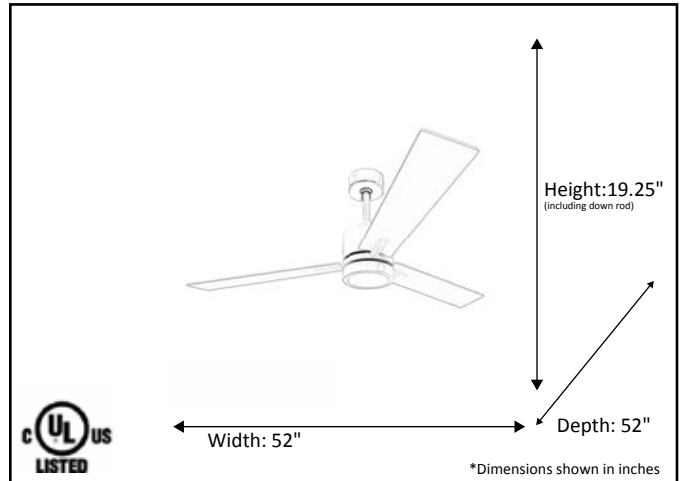


Model #	SUN352 MB3MB(WC-6-WH)
SKU	80247
Metal Finish	Matte Black
Blade Finish	Matte Black
Glass Finish	Frosted
Blade Span	52"
Motor Specs	153mm X 12mm
Wire Length (Shown in inches)	80"
Down Rod Included (Shown in inches)	4"
Blade Pitch	12 Degrees
Speed	3
Forward/Reverse	Yes
Airflow Average	4,758
Power Use (Watts)	59.4
Airflow Efficiency (CFM/Watt)	90
Light Kit Included	Yes
Lamp Info	Integrated LED
Location Use	Indoor Only
Wall Control	WC-6-WH

Finish/Glass Shown: Matte Black/Frosted



*Integrated LED



WC-6-WH Wall Control Included

- Fan/Light Control Switch
- Simple Slide Fan Switch
- Simple On/Off for Light Switch
- Three Speed Fan Control
- Easy 2 Wire Connection (Requires 2 Hot Leads)
- Available in White (WH) Only

ELECTRICAL REQUIREMENTS: Fixture requires a grounded electrical supply line of 120 volts AC.

INSTALLATION REQUIREMENTS: Fixture attaches to electrical junction box securely anchored in wall or ceiling.
All mounting hardware included.

HOMEnhancements / 1505-A Kelly Blvd., Carrollton, TX. 75006

Product specifications subject to change without notice.

REFERENCE	QTY.	REMARKS	Project
			Location/Type
			Architect
			Engineer
			Contractor
			Submitted By: _____ Date: _____