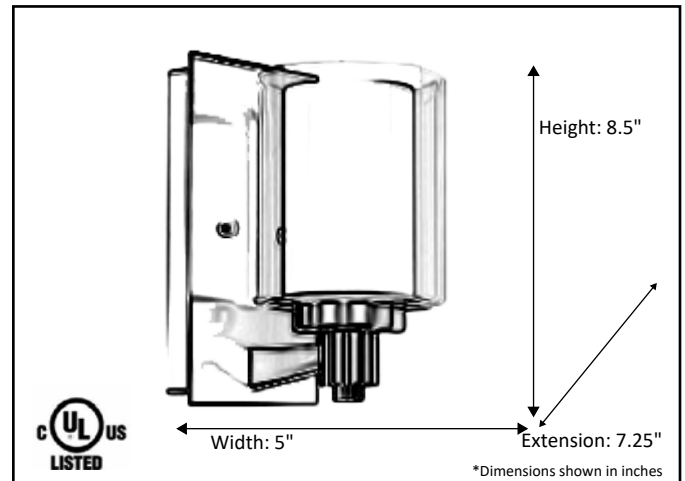


Model #	SNA-SC1-MB
SKU	19350
Fixture Series	Sonora
Description	1 Light Vanity
Metal Finish	Matte Black
Glass Finish	Clear/White
Replacement Glass	G-SNA-CL/WH
Dimensions- HxW(xE) <small>(Dimensions shown in inches)</small>	8.5" X 5" X 7.25"
Lamp Info	1X60W (M)

Finish/Glass Shown: Matte Black/Clear/White



*Lamps not included



ELECTRICAL REQUIREMENTS: Fixture requires a grounded electrical supply line of 120 volts AC.

INSTALLATION REQUIREMENTS: Fixture attaches to electrical junction box securely anchored in wall or ceiling.
All mounting hardware included.

HOMEnhancements / 1505-A Kelly Blvd., Carrollton, TX. 75006

Product specifications subject to change without notice.

REFERENCE	QTY.	REMARKS	Project
			Location/Type
			Architect
			Engineer
			Contractor
			Submitted By: _____ Date: _____