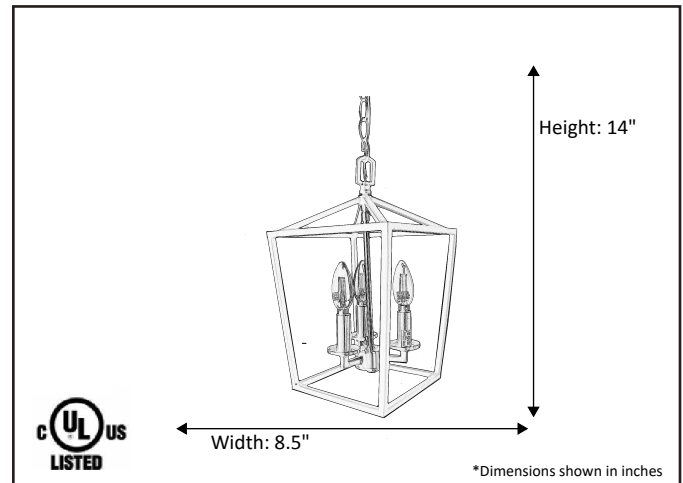


Model #	HF-8514-3-MB/NK(E12)
SKU	20508
Description	3 Light Cage Hanging Fixture
Finish	Matte Black / Brushed Nickel
Dimensions- HxW (Dimensions shown in inches)	14" x 8.5"
Lamp Info	3 x E12
Chain/ Wire Length	3' Chain/10' Wire

Finish/Glass Shown: Matte Black / Brushed Nickel



*Lamps not included



ELECTRICAL REQUIREMENTS: Fixture requires a grounded electrical supply line of 120 volts AC.

INSTALLATION REQUIREMENTS: Fixture attaches to electrical junction box securely anchored in wall or ceiling.
All mounting hardware included.

HOMEnhancements/ 1505-A Kelly Blvd., Carrollton, TX. 75006

Product specifications subject to change without notice.

REFERENCE	QTY.	REMARKS	Project
			Location/Type
			Architect
			Engineer
			Contractor
			Submitted By: Date: