



HOMEnhancements

Architectural & Engineering Specifications

2023

Pendant Lights

MODEL	HF-8071R-NK(E26)
SKU	21510
DESCRIPTION	Small Glass Cage Entry
FINISH	Brushed Nickel
GLASS	Clear
DIMENSIONS	10" H x 6.75" W x 6.75" L
EXTENSION	1 x 6" Rod + 3 x 12" Rods, 3ft Chain, 10ft SPT-1 Black Wire
LAMP INFO	1 x E26 (Medium) 60W Max
LOCATION	Dry

Finish Shown: Brushed Nickel



(Bulb not included)



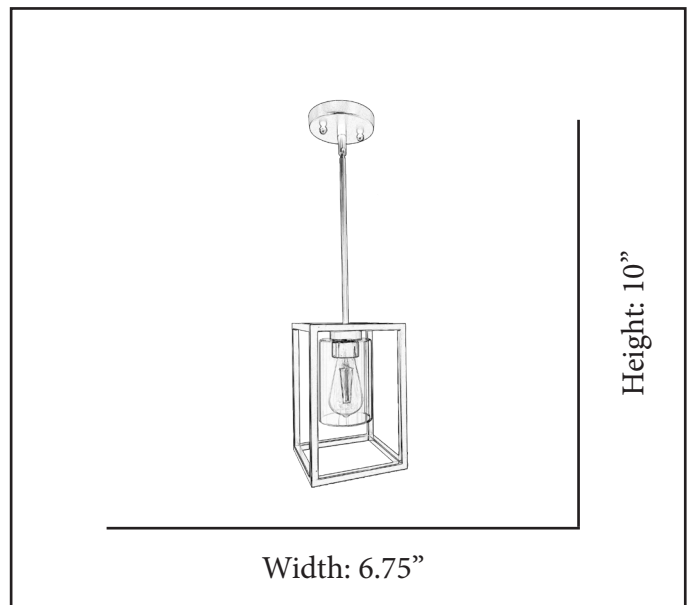
ELECTRICAL REQUIREMENTS: Fixture requires a grounded electrical supply line of 120 volts AC.

INSTALLATION REQUIREMENTS: Fixture attaches to electrical junction box securely anchored in wall or ceiling.

All mounting hardware included.

Product specifications subject to change without notice.

HOMEnhancements/ 1505-A Kelly Blvd., Carrollton, TX. 75006



REFERENCE	QUANTITY	REMARKS	PROJECT	
			LOCATION/TYPE	
			ARCHITECT	
			ENGINEER	
			CONTRACTOR	
			SUBMITTED BY	
			DATE	