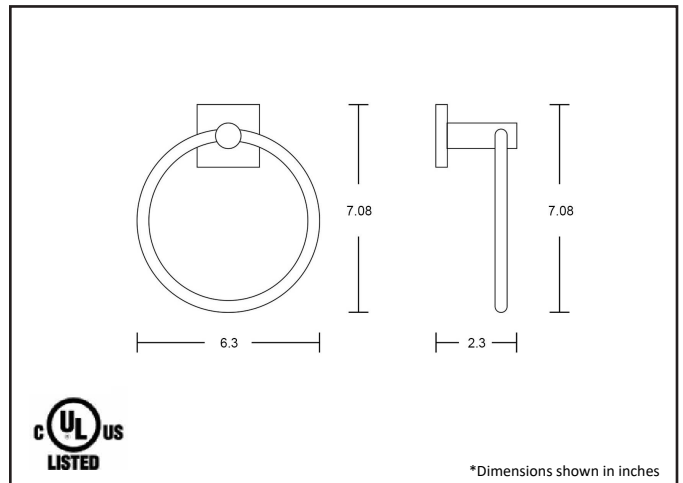


Model #	BH-20982-MB
SKU	20982
Description	Square Style Towel Ring
Metal Finish	Matte Black
Item Type	Hardware
Dimensions- HxW (Dimensions shown in inches)	7.08" x 6.3"
Projection	2.3"
Warranty	1 Year Material Warranty



**ELECTRICAL REQUIREMENTS:** Fixture requires a grounded electrical supply line of 120 volts AC.

**INSTALLATION REQUIREMENTS:** Fixture attaches to electrical junction box securely anchored in wall or ceiling.  
**All mounting hardware included.**

HOMEnhancements/ 1505-A Kelly Blvd., Carrollton, TX. 75006

*Product specifications subject to change without notice.*

REFERENCE	QTY.	REMARKS	Project
			Location/Type
			Architect
			Engineer
			Contractor
			Submitted By: <span style="float: right;">Date:</span>