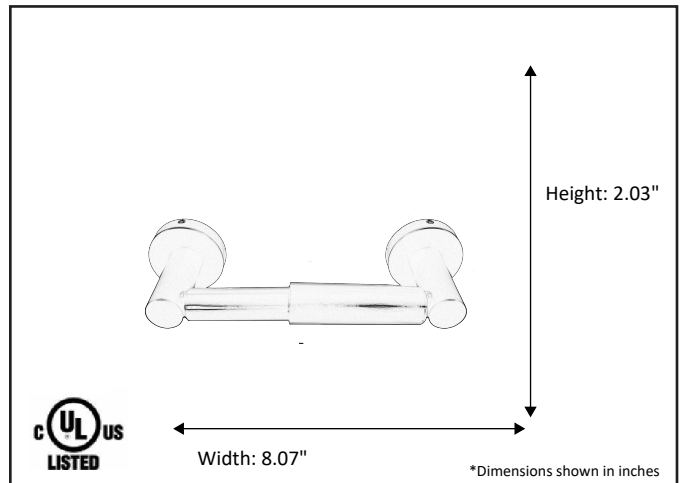


Model #	BH-20223-SN
SKU	20223
Description	Modern Round Standard Paper Holder
Metal Finish	Satin Nickel
Item Type	Hardware
Dimensions- HxW (Dimensions shown in inches)	2.03" x 8.07"
Projection	2.76"
Warranty	1 Year Material Warranty



ELECTRICAL REQUIREMENTS: Fixture requires a grounded electrical supply line of 120 volts AC.

INSTALLATION REQUIREMENTS: Fixture attaches to electrical junction box securely anchored in wall or ceiling.
All mounting hardware included.

HOMEnhancements/ 1505-A Kelly Blvd., Carrollton, TX. 75006

Product specifications subject to change without notice.

REFERENCE	QTY.	REMARKS	Project
			Location/Type
			Architect
			Engineer
			Contractor
			Submitted By: Date: