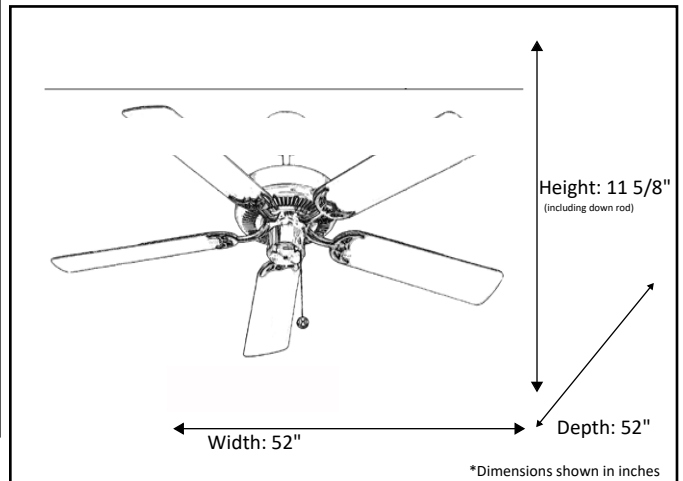


Model #	B552 ESNK5MP/WL
SKU	20327
Metal Finish	Brushed Nickel
Blade Finish	Maple/Walnut <small>*Also Available in White or Silver Blades</small>
Glass Finish	N/A
Blade Span	52"
Motor Specs	153mm x 15mm
Wire Length <small>(Shown in inches)</small>	80"
Down Rod Included <small>(Shown in inches)</small>	4"
Blade Pitch	12
Speed	3
Forward/Reverse	Yes
Airflow (CFM High)	5,017
Power Use (Watts)	46.73
Airflow Efficiency <small>(CFM/Watt)</small>	118
Light Kit Included	No
Lamp Info	N/A
Location Use	Indoor Only
Wall Control	Not Included

Finish Shown: Brushed Nickel/Maple



**ELECTRICAL REQUIREMENTS:** Fixture requires a grounded electrical supply line of 120 volts AC.

**INSTALLATION REQUIREMENTS:** Fixture attaches to electrical junction box securely anchored in wall or ceiling.  
**All mounting hardware included.**

HOMEnhancements / 1505-A Kelly Blvd., Carrollton, TX. 75006

*Product specifications subject to change without notice.*

REFERENCE	QTY.	REMARKS	Project
			Location/Type
			Architect
			Engineer
			Contractor
			Submitted By: _____ Date: _____