



HOMEnhancements

Architectural & Engineering Specifications

2023
Sconce

MODEL	MCO-SC1(CLR)-NK
SKU	21411
DESCRIPTION	Mincio 1-Light Clear Glass Sconce
FINISH	Brushed Nickel
GLASS	Clear Glass
DIMENSIONS	9.25”H x 4.75”W
LAMP INFO	E26(Medium)
LOCATION	Damp Location Rated

Finish Shown: Brushed Nickel



(Bulbs not included)



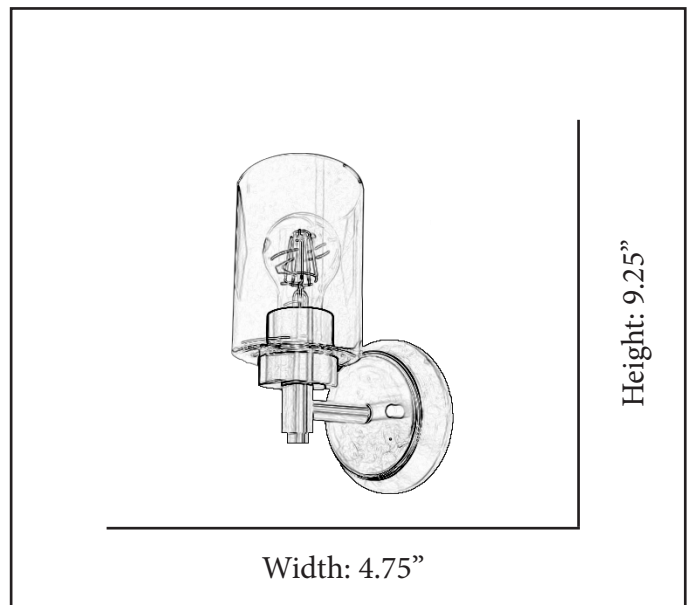
ELECTRICAL REQUIREMENTS: Fixture requires a grounded electrical supply line of 120 volts AC.

INSTALLATION REQUIREMENTS: Fixture attaches to electrical junction box securely anchored in wall or ceiling.

All mounting hardware included.

Product specifications subject to change without notice.

HOMEnhancements/ 1505-A Kelly Blvd., Carrollton, TX. 75006



Width: 4.75”

REFERENCE	QUANTITY	REMARKS	PROJECT	
			LOCATION/TYPE	
			ARCHITECT	
			ENGINEER	
			CONTRACTOR	
			SUBMITTED BY	
			DATE	