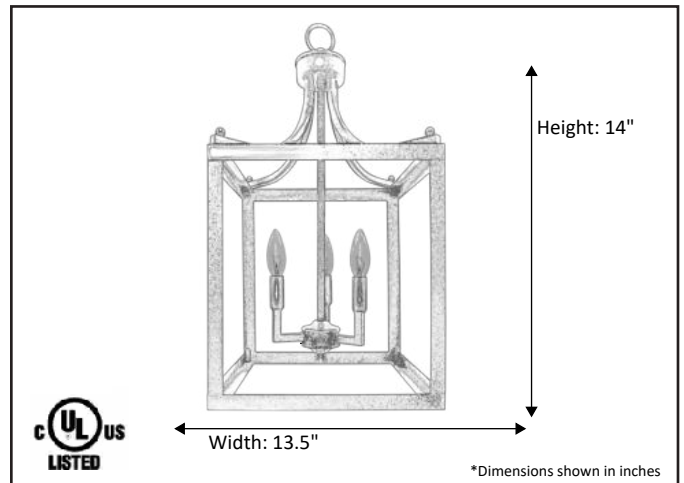


|                                                 |                    |
|-------------------------------------------------|--------------------|
| <b>Model #</b>                                  | <b>HF-412-3-MB</b> |
| SKU                                             | 18806              |
| Description                                     | Square Cage Entry  |
| Finish                                          | Matte Black        |
| Glass                                           | None               |
| Dimensions- HxW<br>(Dimensions shown in inches) | 14" x 13.5"        |
| Lamp Info                                       | 3X60W (C)          |
| Chain/ Wire Length                              | 3' Chain/10' Wire  |
| Dual Mount                                      | No                 |

Finish/Glass Shown: Matte Black/N/A



\*Lamps not included



**ELECTRICAL REQUIREMENTS:** Fixture requires a grounded electrical supply line of 120 volts AC.

**INSTALLATION REQUIREMENTS:** Fixture attaches to electrical junction box securely anchored in wall or ceiling.  
**All mounting hardware included.**

HOMEnhancements/ 1505-A Kelly Blvd., Carrollton, TX. 75006

*Product specifications subject to change without notice.*

| REFERENCE | QTY. | REMARKS | Project                                                |
|-----------|------|---------|--------------------------------------------------------|
|           |      |         | Location/Type                                          |
|           |      |         | Architect                                              |
|           |      |         | Engineer                                               |
|           |      |         | Contractor                                             |
|           |      |         | Submitted By: <span style="float: right;">Date:</span> |