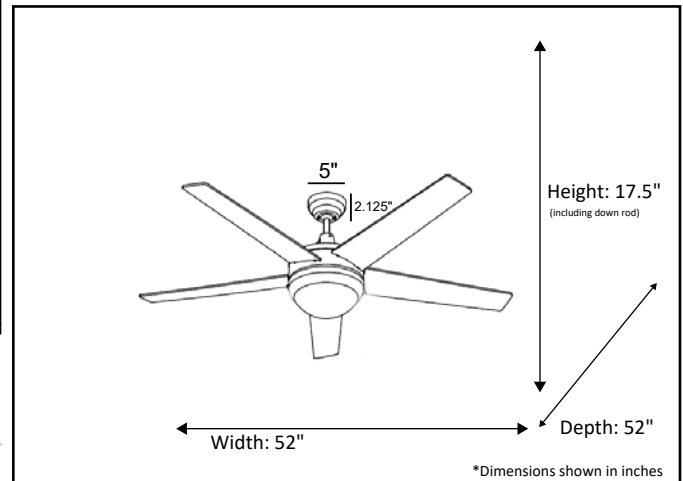


<b>Model #</b>	<b>SUN505 NK5SV/WL(2XLED3K)</b>
SKU	18821
Metal Finish	Brushed Nickel
Blade Finish	Silver/Walnut
Glass Finish	White
Dimensions	52" Blade Span; Canopy Diameter: 5" Canopy Height: 2.125"
Motor Specs	153mm x 18mm; Motor Height: 7.75" Motor Diameter: 10"
Wire Length (Shown in inches)	80"
Down Rod Included (Shown in inches)	4"
Blade Pitch	12
Speed	3
Forward/Reverse	Yes
Airflow (CFM High)	4990
Airflow Efficiency (CFM/Watt)	141
Light Kit Included	Yes
Lamp Info	19W Integrated LED
Location Use	Indoor Only
Wall Control	Not Included

Finish/Glass Shown: Brushed Nickel/White



**ELECTRICAL REQUIREMENTS:** Fixture requires a grounded electrical supply line of 120 volts AC.

**INSTALLATION REQUIREMENTS:** Fixture attaches to electrical junction box securely anchored in wall or ceiling.  
**All mounting hardware included.**

HOMEnhancements / 1505-A Kelly Blvd., Carrollton, TX. 75006

*Product specifications subject to change without notice.*

REFERENCE	QTY.	REMARKS	Project
			Location/Type
			Architect
			Engineer
			Contractor
			Submitted By: <span style="float: right;">Date:</span>