



HOMEnhancements

Architectural & Engineering Specifications

2023

Ceiling Fans

MODEL	SUN356 NK3WL(WC)
SKU	21204
DESCRIPTION	3-Blade 56" Nickel AC Motor Fan
FINISH	Brushed Nickel
BLADES	Walnut
DIMENSIONS	56"
LAMP INFO	20W 3000K LED
LOCATION	Dry Rated
WALL CONTROL	WC-2-WH

Airflow 5,140

Airflow Efficiency 92 CFM



ELECTRICAL REQUIREMENTS: Fixture requires a grounded electrical supply line of 120 volts AC.

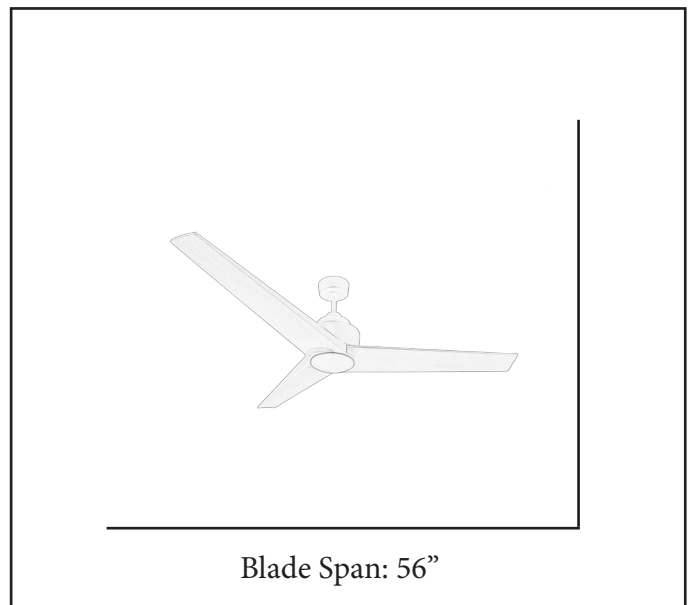
INSTALLATION REQUIREMENTS: Fixture attaches to electrical junction box securely anchored in wall or ceiling.

All mounting hardware included.

Product specifications subject to change without notice.

HOMEnhancements/ 1505-A Kelly Blvd., Carrollton, TX. 75006

Finish Shown: Brushed Nickel



REFERENCE	QUANTITY	REMARKS	PROJECT	
			LOCATION/TYPE	
			ARCHITECT	
			ENGINEER	
			CONTRACTOR	
			SUBMITTED BY	
			DATE	