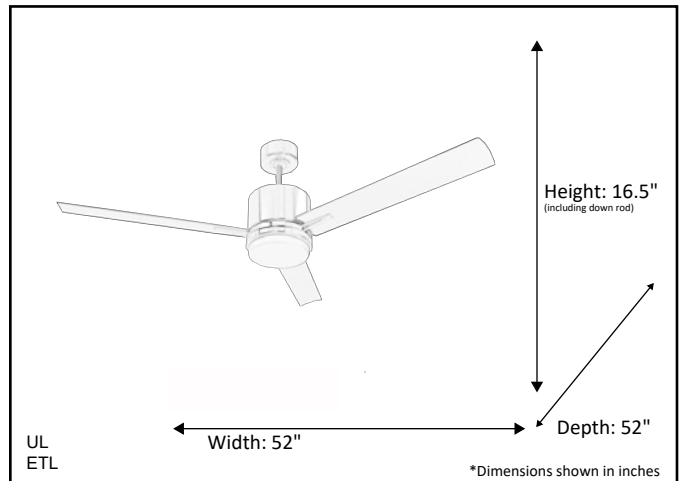


Model #	SUN352D MB3MB(WC)
SKU	19737
Metal Finish	Matte Black
Blade Finish	ABS Matte Black
Glass Finish	White
Blade Span	52"
Motor Specs	DC165M-DC
Wire Length (Shown in inches)	80"
Down Rod Included (Shown in inches)	6"
Blade Pitch	14
Speed	3
Forward/Reverse	Yes
Airflow (CFM High)	6548.80
Power Use (Watts)	58.64
Airflow Efficiency (CFM/Watt)	115.62
Light Kit Included	Yes
Lamp Info	Integrated LED
Location Use	Indoor/Outdoor
Listed	Damp Location Listed
Wall Control	WC-5-WH

Finish/Glass Shown: Matte Black/White



Integrated LED



ELECTRICAL REQUIREMENTS: Fixture requires a grounded electrical supply line of 120 volts AC.

INSTALLATION REQUIREMENTS: Fixture attaches to electrical junction box securely anchored in wall or ceiling.
All mounting hardware included.

HOMEnhancements / 1505-A Kelly Blvd., Carrollton, TX. 75006

Product specifications subject to change without notice.

REFERENCE	QTY.	REMARKS	Project
			Location/Type
			Architect
			Engineer
			Contractor
			Submitted By: _____ Date: _____