

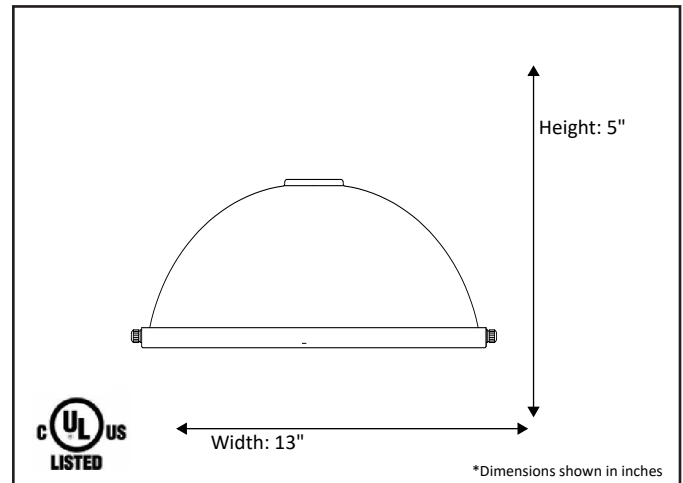
<b>Model #</b>	<b>MP-CAP-MB</b>
<b>SKU#</b>	19518
<b>Description</b>	Metal Dome Pendant Cover
<b>Finish</b>	Matte Black
<b>Glass</b>	Frosted Lens
<b>Dimensions- HxW</b> (Dimensions shown in inches)	5" x 13"
<b>Lamp Info</b>	N/A
<b>Chain/ Wire Length</b>	N/A
<b>Rods Included</b>	N/A

Finish/Glass Shown: Matte Black/Frosted Lens

\*MP-1-MB  
Sold Separately



\*Lamps not included



**ELECTRICAL REQUIREMENTS:** Fixture requires a grounded electrical supply line of 120 volts AC.

**INSTALLATION REQUIREMENTS:** Fixture attaches to electrical junction box securely anchored in wall or ceiling.  
**All mounting hardware included.**

HOMEnhancements/ 1505-A Kelly Blvd., Carrollton, TX. 75006

*Product specifications subject to change without notice.*

REFERENCE	QTY.	REMARKS	Project
			Location/Type
			Architect
			Engineer
			Contractor
			Submitted By: <span style="float: right;">Date:</span>