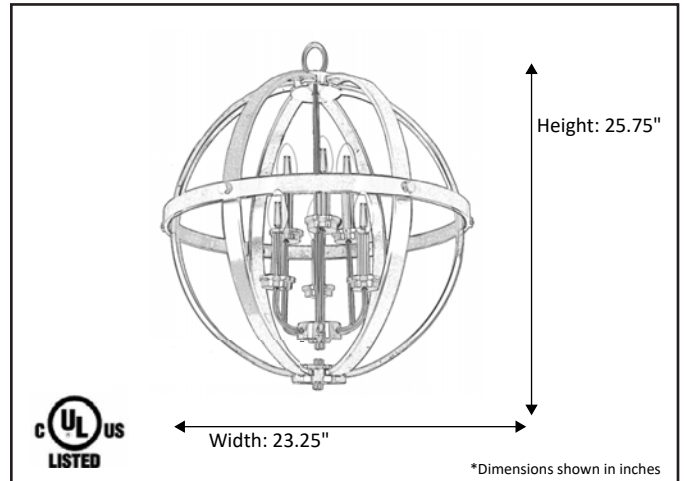


<b>Model #</b>	<b>HSP-24-MB</b>
<b>SKU</b>	21258
<b>Description</b>	6 Light Hanging Sphere
<b>Finish</b>	Matte Black
<b>Dimensions- HxW</b> <small>(Dimensions shown in inches)</small>	25.75" x 23.25"
<b>Lamp Info</b>	6X60W (C)
<b>Chain/ Wire Length</b>	3' Chain/10' Wire

Finish Shown: Matte Black



\*Lamps not included



**ELECTRICAL REQUIREMENTS:** Fixture requires a grounded electrical supply line of 120 volts AC.

**INSTALLATION REQUIREMENTS:** Fixture attaches to electrical junction box securely anchored in wall or ceiling.  
**All mounting hardware included.**

HOMEnhancements/ 1505-A Kelly Blvd., Carrollton, TX. 75006

*Product specifications subject to change without notice.*

REFERENCE	QTY.	REMARKS	Project
			Location/Type
			Architect
			Engineer
			Contractor
			Submitted By: <span style="float: right;">Date:</span>