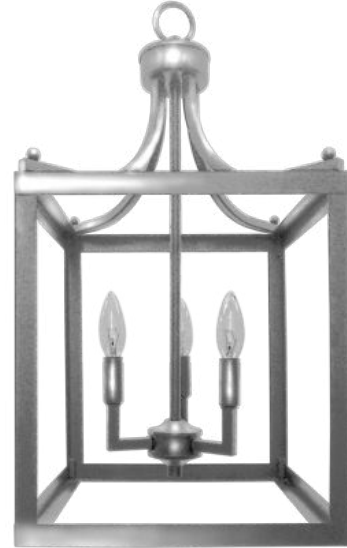
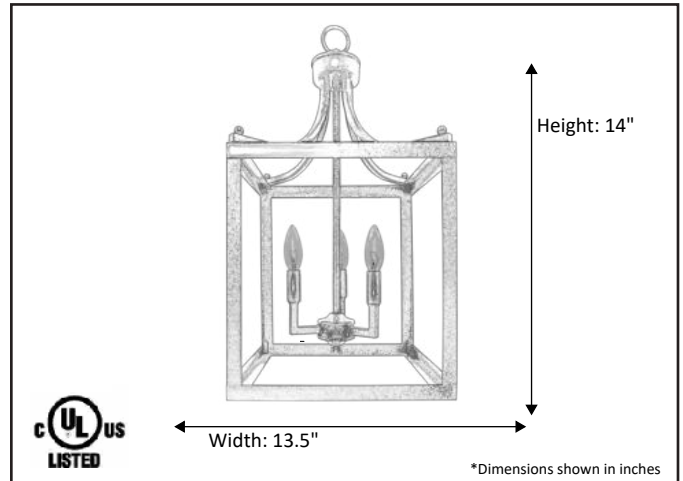


Model #	HF-412-3-NK
SKU	18968
Description	Square Cage Entry
Finish	Brushed Nickel
Glass	N/A
Dimensions- HxW (Dimensions shown in inches)	14" x 13.5"
Lamp Info	3X60W (C)
Chain/ Wire Length	3' Chain/10' Wire
Dual Mount	No

Finish/Glass Shown: Brushed Nickel/N/A



*Lamps not included



ELECTRICAL REQUIREMENTS: Fixture requires a grounded electrical supply line of 120 volts AC.

INSTALLATION REQUIREMENTS: Fixture attaches to electrical junction box securely anchored in wall or ceiling.
All mounting hardware included.

HOMEnhancements/ 1505-A Kelly Blvd., Carrollton, TX. 75006

Product specifications subject to change without notice.

REFERENCE	QTY.	REMARKS	Project
			Location/Type
			Architect
			Engineer
			Contractor
			Submitted By: Date: