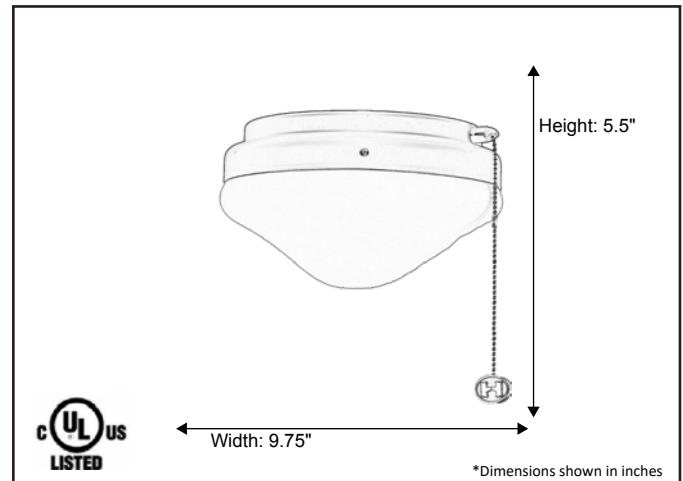


Model #	FL-121D-MB(2XLED3K)
SKU	13008
Description	Shallow Dome Patio Light Kit
Finish	Matte Black
Glass	White
Dimensions- HxW (Dimensions shown in inches)	5.5" x 9.75"
Lamp Info	2 x LED 3K

Finish/Glass Shown: Matte Black/White



*Lamps included



ELECTRICAL REQUIREMENTS: Fixture requires a grounded electrical supply line of 120 volts AC.

INSTALLATION REQUIREMENTS: Fixture attaches to electrical junction box securely anchored in wall or ceiling.
All mounting hardware included.

HOMEnhancements/ 1505-A Kelly Blvd., Carrollton, TX. 75006

Product specifications subject to change without notice.

REFERENCE	QTY.	REMARKS	Project
			Location/Type
			Architect
			Engineer
			Contractor
			Submitted By: Date: