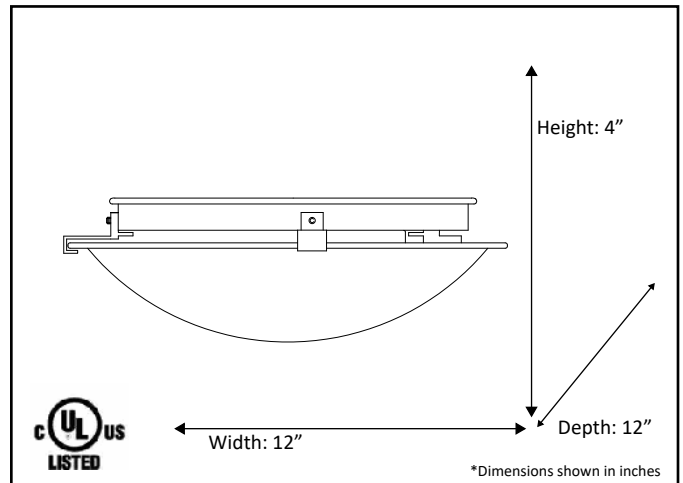


<b>Model #</b>	CFZ-212WH-NK
<b>SKU</b>	20166
<b>Description</b>	Two Light Flush Mount
<b>Finish</b>	Brushed Nickel
<b>Glass</b>	Frosted
<b>Dimensions- HxW(xD)</b> <small>(Dimensions shown in inches)</small>	4" x 12" x 12"
<b>Lamp Info</b>	2 x 60W (M)

Finish/Glass Shown: Brushed Nickel/Frosted



\*Lamps not included



**ELECTRICAL REQUIREMENTS:** Fixture requires a grounded electrical supply line of 120 volts AC.

**INSTALLATION REQUIREMENTS:** Fixture attaches to electrical junction box securely anchored in wall or ceiling.  
**All mounting hardware included.**

HOMEnhancements.com / 1505-A Kelly Blvd., Carrollton, TX. 75006

*Product specifications subject to change without notice.*

REFERENCE	QTY.	REMARKS	Project
			Location/Type
			Architect
			Engineer
			Contractor
			Submitted By: <span style="float: right;">Date:</span>