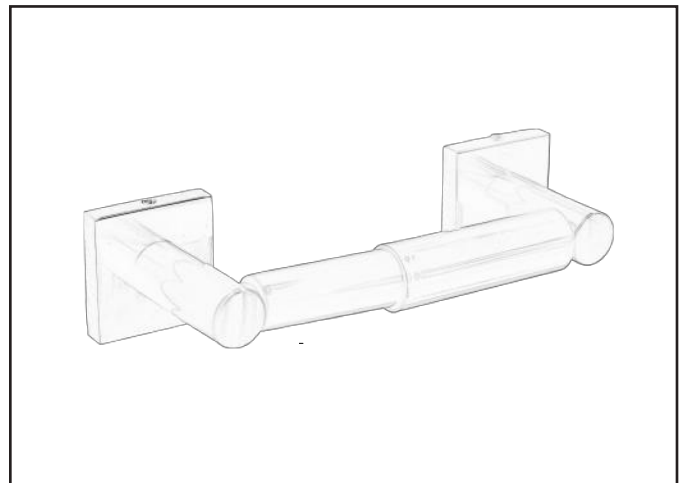


| | |
|--|------------------------------------|
| Model # | BH-20991-SN |
| SKU | 20991 |
| Description | Square Style Standard Paper Holder |
| Metal Finish | Satin Nickel |
| Item Type | Hardware |
| Dimensions- HxW <small>(Dimensions shown in inches)</small> | 2.0" x 8.3" |
| Projection | 2.8" |
| Warranty | 1 Year Material Warranty |



HOMEnhancements/ 1505-A Kelly Blvd., Carrollton, TX. 75006

| REFERENCE | QTY. | REMARKS | Project |
|-----------|------|---------|--|
| | | | Location/Type |
| | | | Architect |
| | | | Engineer |
| | | | Contractor |
| | | | Submitted By: Date: |